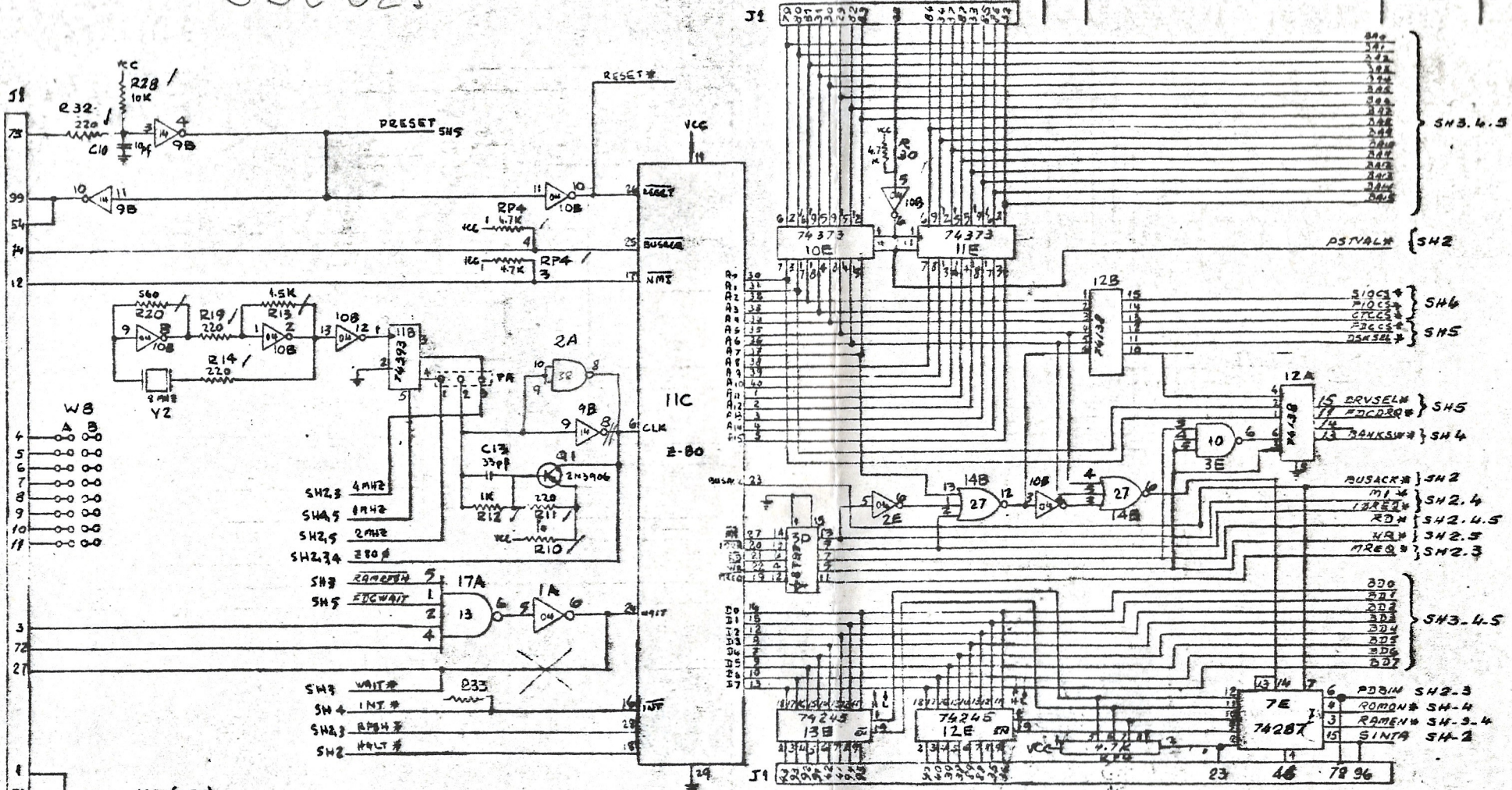


SBC 021



QTY	FSCM	PART OR	NOMENCLATURE	MATERIAL
REQD	NO.	IDENTIFYING NO.	OR DESCRIPTION	SPECIFICATION
PARTS LIST				
UNLESS OTHERWISE SPECIFIED DIMENSIONS ARE IN INCHES TOLERANCES ARE:		CONTRACT NO.		
FRACTIONS	DECIMALS	ANGLES	COMPACT COMPUTER - CPU SECTION	
±	.XX ±	±		
±	.XXX ±	±		
MATERIAL		APPROVALS	DATE	
DRAWN		LM	1-3-83	
CHECKED		LM	1-12-83	
ISSUED		LM	1-19-83	
SIZE	FSCM NO.	DWG. NO.	REV.	
B	1	051606-A	3	
SCALE			SHEET	1 OF 5

- 51 → VCC (+5V)
- 50 → GND
- 2 → VDD (+12V)
- 52 → VBB (-12V)

APPLICATION	DO NOT SCALE DRAWING
NEXT ASSY	USED ON
1351/105	